

-122/14

=

=

:

/

-

/

:

I	3
II	6
III	6
IV	9
V	20
VI		
75.	76.	
	. 77. 21
VII	 29
VIII	O 38
IX	41
X		76

J

" "

29,
: www.gsp.co.rs

55., 57., 60.

(
29

" 124/12)

(: 34322000 -)

1.	34322000 -	CELJUST, KOCNA LUCAS PREDNJE OSOV
2.	34322000 -	SET, ZAPTIVKI KOCNE CELJUSTI LRG 562/563
3.	34322000 -	SET, DELOVA KOCNE CELJUSTI LRG 562/563"Lucas"
4.	34322000 -	CELJUST, KOCNA LUCAS SL283,SG313
5.	34322000 -	SET, DELOVA KOC.CELJUSTI LRG 574/575 SG313
6.	34322000 -	SET, KOCNE CELJUSTI "KNORR" SN7 VECI
7.	34322000 -	SET, KOCNE CELJUSTI "KNORR" SN7 MANJI
8.	34322000 -	CELJUST, KOCNA KNORR OS.ZF RL-85A
9.	34322000 -	CELJUST, KOCNA KNORR OS.ZF AVN-132
10.	34322000 -	SET, CEP I GUMICA KOCNE CELJUSTI KNORR POG.OSOVINE ZF 132/87
11.	34322000 -	SET, DELOVA KOCNE CELJ.KNORR POG.OS.ZF132/87
12.	34322000 -	SET, VODJICA SA ZAPTIVKAMA KOC.CELJUSTI SB7
13.	34322000 -	SET, VODJICA, ZAPTIVKI, CEPOVA KOC.CELJ. SB7
14.	34322000 -	NOSAC, DISK PLOCICA ZA CELJUST "KNORR"
15.	34322000 -	NOSAC, DISK PL.CELJ.KNORR LEVI AV132 112/218N
16.	34322000 -	NOSAC, DISK PLOC.CELJ.DESNI KNORR AV132/87
17.	34322000 -	SET, VODJICA CAURA GUMICA CEPOVA CELJUSTI SK7
18.	34322000 -	SET, KOCNE CELJUSTI HALDEX 92502
19.	34322000 -	FAP
20.	34322000 -	FAP I

21.	34322000 -	FAP II
22.	34322000 -	FAP
23.	34322000 -	FAP I
24.	34322000 -	FAP II
25.	34322000 -	IK
26.	34322000 -	IK I
27.	34322000 -	IK II
28.	34322000 -	IK III
29.	34322000 -	MAN SL/SG
30.	34322000 -	MAN SL/SG I
31.	34322000 -	MAN SL/SG II
32.	34322000 -	OBLOGA, KOCNA PRED.OS.STD 18.7mm SET O345C
33.	34322000 -	OBLOGA, KOCNA PRED.OS.I SP.19.5mm SET O345C
34.	34322000 -	OBLOGA, KOCNA POGON.OSOV.19.00mm SET O345C
35.	34322000 -	OBLOGA, KOCNA POGON.OSOV.19.80mm SET O345C
36.	34322000 -	SET, KOCN.OBLOGA POG.OS.ZF-AV132 IISPC O345E3
37.	34322000 -	SET, KOCN.OBLOGA POG.OS.ZF-AV132 STD O345E3
38.	34322000 -	SET, KOCNIH OBLOGA VOLVO IK-112.3/218.3
39.	34322000 -	OBLOGA, KOCNA 180X19X200 KAROSA
40.	34322000 -	GARNITURA, DISK PLOC.249.4X118X28 STD LUCAS
41.	34322000 -	GARNITURA, DISK PLOC.249,4X118X30 POJ.LUCAS
42.	34322000 -	GARNITURA, DISK PLOCICA STD KNORR
43.	34322000 -	SET, DISK PLOCICA VOLVO
44.	34322000 -	SET, KOCNIH PLOCICA IK218M
45.	34322000 -	OBLOGA, KOCNA 145X68X12 BEZAZBESTNA KT4
46.	34322000 -	GARNITURA, DISK PLOC.247.5X109.5X30 POJ.KNORR
47.	34322000 -	OBLOGA, KOCNA 178X19X216 OSOVINE 832 i 118
48.	34322000 -	OBLOGA, KOCNA 178X20X216 OSOVINE 832 i 118
49.	34322000 -	OBLOGA, KOCIONA PREDNJA 140X21 ZIU,TROLZA

50.	34322000 -	OBLOGA, KOCIONA PREDNJA 178X192 BKM333,321
51.	34322000 -	- 345
52.	34322000 -	- MAN
53.	34322000 -	-
54.	34322000 -	-
55.	34322000 -	-
56.	34322000 -	
57.	34322000 -	
58.	34322000 -	BKM333/321
59.	34322000 -	

(. 75.)

(. 76.)

77. 1.

a www.gsp.co.rs.
(

.),

email

4087

-122/14",

29, 11000
e-mail nabavke@gsp.co.rs

011/366-

07 15

«

(03.10.2014. 12,00) - -122/14».

e-mail).

03.10.2014. 11,30

29, 11000

03.10.2014. 12,00

29, 11000

25

30

II

1.

" " :
 : 29,
 : www.gsp.co.rs
 : SR100049398
 : 07022662
 : 60212

2.

32.

3.

4.

40.

5.

: nabavke@gsp.co.rs,

III

(: 34322000 -)

1.	34322000 -	CELJUST, KOCNA LUCAS PREDNJE OSOV
2.	34322000 -	SET, ZAPTIVKI KOCNE CELJUSTI LRG 562/563
3.	34322000 -	SET, DELOVA KOCNE CELJUSTI LRG 562/563"Lucas"
4.	34322000 -	CELJUST, KOCNA LUCAS SL283,SG313

5.	34322000 -	SET, DELOVA KOC.CELJUSTI LRG 574/575 SG313
6.	34322000 -	SET, KOCNE CELJUSTI "KNORR" SN7 VECI
7.	34322000 -	SET, KOCNE CELJUSTI "KNORR" SN7 MANJI
8.	34322000 -	CELJUST, KOCNA KNORR OS.ZF RL-85A
9.	34322000 -	CELJUST, KOCNA KNORR OS.ZF AVN-132
10.	34322000 -	SET, CEP I GUMICA KOCNE CELJUSTI KNORR POG.OSOVINE ZF 132/87
11.	34322000 -	SET, DELOVA KOCNE CELJ.KNORR POG.OS.ZF132/87
12.	34322000 -	SET, VODJICA SA ZAPTIVKAMA KOC.CELJUSTI SB7
13.	34322000 -	SET, VODJICA, ZAPTIVKI, CEPOVA KOC.CELJ. SB7
14.	34322000 -	NOSAC, DISK PLOCICA ZA CELJUST "KNORR"
15.	34322000 -	NOSAC, DISK PL.CELJ.KNORR LEVI AV132 112/218N
16.	34322000 -	NOSAC, DISK PLOC.CELJ.DESNI KNORR AV132/87
17.	34322000 -	SET, VODJICA CAURA GUMICA CEPOVA CELJUSTI SK7
18.	34322000 -	SET, KOCNE CELJUSTI HALDEX 92502
19.	34322000 -	FAP
20.	34322000 -	FAP I
21.	34322000 -	FAP II
22.	34322000 -	FAP
23.	34322000 -	FAP I
24.	34322000 -	FAP II
25.	34322000 -	IK
26.	34322000 -	IK I
27.	34322000 -	IK II
28.	34322000 -	IK III
29.	34322000 -	MAN SL/SG
30.	34322000 -	MAN SL/SG I
31.	34322000 -	MAN SL/SG II
32.	34322000 -	OBLOGA, KOCNA PRED.OS.STD 18.7mm SET O345C
33.	34322000 -	OBLOGA, KOCNA PRED.OS.I SP.19.5mm SET O345C

34.	34322000 -	OBLOGA, KOCNA POGON.OSOV.19.00mm SET O345C
35.	34322000 -	OBLOGA, KOCNA POGON.OSOV.19.80mm SET O345C
36.	34322000 -	SET, KOCN.OBLOGA POG.OS.ZF-AV132 IISPC O345E3
37.	34322000 -	SET, KOCN.OBLOGA POG.OS.ZF-AV132 STD O345E3
38.	34322000 -	SET, KOCNIH OBLOGA VOLVO IK-112.3/218.3
39.	34322000 -	OBLOGA, KOCNA 180X19X200 KAROSA
40.	34322000 -	GARNITURA, DISK PLOC.249.4X118X28 STD LUCAS
41.	34322000 -	GARNITURA, DISK PLOC.249,4X118X30 POJ.LUCAS
42.	34322000 -	GARNITURA, DISK PLOCICA STD KNORR
43.	34322000 -	SET, DISK PLOCICA VOLVO
44.	34322000 -	SET, KOCNIH PLOCICA IK218M
45.	34322000 -	OBLOGA, KOCNA 145X68X12 BEZAZBESTNA KT4
46.	34322000 -	GARNITURA, DISK PLOC.247.5X109.5X30 POJ.KNORR
47.	34322000 -	OBLOGA, KOCNA 178X19X216 OSOVINE 832 i 118
48.	34322000 -	OBLOGA, KOCNA 178X20X216 OSOVINE 832 i 118
49.	34322000 -	OBLOGA, KOCIONA PREDNJA 140X21 ZIU,TROLZA
50.	34322000 -	OBLOGA, KOCIONA PREDNJA 178X192 BKM333,321
51.	34322000 -	- 345
52.	34322000 -	- MAN
53.	34322000 -	-
54.	34322000 -	-
55.	34322000 -	-
56.	34322000 -	
57.	34322000 -	
58.	34322000 -	BKM333/321
59.	34322000 -	

IV

LRG 562/LRG 563

1 - CELJUST, KOCNA LUCAS PREDNJE OSOV

	-		/	
1	108583201	CELJUST, KOCNA LUCAS PREDNJE OSOV. LEVA	LRG 562	3
2	108584001	CELJUST, KOCNA LUCAS PREDNJE OSOV. DESNA	LRG 563	6

1:

LUCAS,

RABA MAN (/
RABA MAN).

	-		/	
2	109895001	SET, ZAPTIVKI KOCNE CELJUSTI LRG 562/563	SJ 1212	40
3	109581101	SET, DELOVA KOCNE CELJUSTI LRG 562/563"Lucas"	SJ 4012	20

2 3:

/ LUCAS (/
LUCAS).

5

20

3

(03.10.2014.).

LRG 574/LRG 575

4 - CELJUST, KOCNA LUCAS SL283,SG313

	-		/	
1	111036501	CELJUST, KOCNA LUCAS SL283,SG313 DESNA	81.50804.6198	7
2	111037301	CELJUST, KOCNA LUCAS SL283,SG313 LEVA	81.50804.6197	7

4:

LUCAS,

MAN (/
MAN).

	-		/	
5	115188601	SET, DELOVA KOC.CELJUSTI LRG 574/575 SG313	81.50802.6022 MCK1103	40

5:

/
LUCAS (/
LUCAS).

5

20

3

(03.10.2014.).

K003781 / K003782 (SN7)

	-		/	
6	114258501	SET, KOCNE CELJUSTI "KNORR" SN7 VECI	K010603 0501.215.083 A.000.420.23.82 A.000.420.49.82	82
7	114255001	SET, KOCNE CELJUSTI "KNORR" SN7 MANJI	K000472 A.000.420.34.82 A.000.420.46.82 0501.213.688	40

6 7:

/
KNORR (/
KNORR).

5

20

(03.10.2014.).

3

().

K015234 / K015235 (SN7)

8 - CELJUST, KOCNA KNORR OS.ZF RL-85A

	-		/	
1	114122801	CELJUST, KOCNA KNORR OS.ZF RL-85A LEVA112/218	0501.008.098 K015234	4
2	114133301	CELJUST, KOCNA KNORR OS.ZF RL-85A DESNA IK	0501.008.099 K015235	4

K010165 / K010164 (SB7)

9 - CELJUST, KOCNA KNORR OS.ZF AVN-132

	-		/	
1	114131701	CELJUST, KOCNA KNORR OS.ZF AVN-132 LEVA IK	0501.007.979 K010165	16
2	114132501	CELJUST, KOCNA KNORR OS.ZF AVN-132 DESNA IK	0501.007.978 K010164	17

8 9:

"KNORR",

ZF (

ZF).

	-		/	
10	117587401	SET, CEP I GUMICA KOCNE CELJUSTI KNORR POG.OSOVINE ZF 132/87	81.50822.6025	30
11	114262301	SET, DELOVA KOCNE CELJ.KNORR POG.OS.ZF132/87	K010604 81.50822.6032	70
12	116059101	SET, VODJICA SA ZAPTIVKAMA KOC.CELJUSTI SB7	K000132	30
13	116061301	SET, VODJICA, ZAPTIVKI, CEPOVA KOC.CELJ. SB7	K001915	30
14	114223201	NOSAC, DISK PLOCICA ZA CELJUST "KNORR"	K001273	3
15	116199701	NOSAC, DISK PL.CELJ.KNORR LEVI AV132 112/218N	0501.213.710 K001530	2
16	116385001	NOSAC, DISK PLOC.CELJ.DESNI KNORR AV132/87	0501.213.709 K001529	2
17	117258101	SET, VODJICA CAURA GUMICA CEPOVA CELJUSTI SK7	K004100	30

10-13 17:

"KNORR",

/

"KNORR", (/
"KNORR").

5

20

3

(03.10.2014.).

14-16:

"KNORR",

"KNORR", (/
"KNORR").

92502 HALDEX

	-		/	
18	114256901	SET, KOCNE CE USTI HALDEX 92502	90693 HALDEX	30

18:

HALDEX,

"HALDEX", (/
"HALDEX".

1-18:

12

SRPS ISO/TS 16949

SRPS ISO 9001, (

ISO/TS 16949

ISO 9001

19 -

FAP

	-		/	
1	107648501	OBLOGA, KOCNA 163X18.1/8.3X217 PRED.STDII FAP	307.421.48.10	220
2	107653101	OBLOGA, KOCNA 163X18.2/15.7X174 PRED.STDI FAP	A.307.421.51.10	220

20 -		FAP I			
			/		
1	107651501	OBLOGA, KOCNA 163X19.1/9.3X217 PRED.SPC1 FAP	307.421.50.10		220
2	107654001	OBLOGA, KOCNA 163X19.2/16.7X174 PRED.SPC1 FAP	A.307.421.52.10		220

21 -		FAP II			
			/		
1	107652301	OBLOGA, KOCNA 163X20.1/10.3X217 PRED.SPC2 FAP	307.421.50.10-1		220
2	107673601	OBLOGA, KOCNA 163X20.2/17.7X174 PRED.SPC2 FAP	307.421.52.10-1		220

22 -		FAP			
			/		
1	107667101	OBLOGA, KOCNA 223X18.8/13.9X174 POG.STD FAP	A.307.423.51.10		220
2	107668001	OBLOGA, KOCNA 223X18.1/8.3X217 POG.STD FAP	A.307.423.48.10 274106		220

23 -		FAP I			
			/		
1	107669801	OBLOGA, KOCNA 223X19.2/16.7X174 POG.SPC1 FAP	A.307.423.52.10 274105		220
2	107670101	OBLOGA, KOCNA 223X19.1/9.3X217 POG.SPC1 FAP	A.307.423.50.10 274094		220

24 -		FAP II			
			/		
1	107671001	OBLOGA, KOCNA 223X20.2/17.7X174 POG.SPC2 FAP	307.423.52.10-1		160
2	107672801	OBLOGA, KOCNA 223X20.1/10.3X217 POG.SPC2 FAP	307.423.50.10-1		160

25 -		IK			
			/		
1	108307401	OBLOGA, KOCNA 179X21.5/12.1X212 IK103,202	WVA 19616/21.5 108.174.590		1200
2	108308201	OBLOGA, KOCNA 179X21.6/17.6X215 IK103,202	WVA 19615/21.6 108.174.590-1		1200

26 -		IK I			
			/		

	-		/	
1	108309001	OBLOGA, KOCNA 179X22.5/12.5X212 IK103,202	WVA 19616/22.5 108.174.608	540
2	108310401	OBLOGA, KOCNA 179X22.6/18.6X215 IK103,202	WVA 19615/22.6 108.174.608-1	540

27 - IK II

	-		/	
1	108311201	OBLOGA, KOCNA 179X23.5/13.5X212 IK103,202	WVA 19616/23.5 108.174.616	540
2	108312001	OBLOGA, KOCNA 179X23.6/19.6X215 IK103,202	108.174.616-1	540

28 - IK III

	-		/	
1	108313901	OBLOGA, KOCNA 179X24.5/14.5X212 IK103,202	108.174.624	240
2	108314701	OBLOGA, KOCNA 179X24.6/20.6X215 IK103,202	108.174.624-1 WVA19615/616.30	240

29 - MAN SL/SG

	-		/	
1	108953601	OBLOGA, KOCNA 223X18.7/16.2X174 STD SL/SG	81.50221.0545	300
2	109139501	OBLOGA, KOCNA 223X18.6/8.8X217 STD SL/SG	81.50221.0550	300

30 - MAN SL/SG I

	-		/	
1	111718101	OBLOGA, KOCNA 223X19,4/9,3X217 I SPC SL/SG	81.50221.0552	320
2	111719001	OBLOGA, KOCNA 223X19,5/9,3X174 I SPC SL/SG	81.50221.0547	320

31 - MAN SL/SG II

	-		/	
1	111720301	OBLOGA, KOCNA 223X20,1X217 II SPC SL/SG	81.50221.0553	260
2	111721101	OBLOGA, KOCNA 223X20,2X174 II SPC SL/SG	81.50221.0548	260

O345C, VOLVO

	-		/	
32	109240501	OBLOGA, KOCNA PRED.OS.STD 18.7mm SET O345C	A.301.423.70.10	48
33	109346001	OBLOGA, KOCNA PRED.OS.I SP.19.5mm SET O345C	A.301.423.71.10	36
34	109444001	OBLOGA, KOCNA POGON.OSOV.19.00mm SET O345C	A.357.423.01.11	60
35	109375401	OBLOGA, KOCNA POGON.OSOV.19.80mm SET O345C	A.357.423.02.11	60
36	113447701	SET, KOCON.OBLOGA POG.OS.ZF-AV132 IISPC O345E3	A.000.421.02.31	24
37	113458201	SET, KOCON.OBLOGA	A.000.421.01.31	20

		POG.OS.ZF-AV132 STD O345E3			
38	117443601	SET, KOCNIH OBLOGA VOLVO IK-112.3/218.3	19975190005 TEXTAR 3098082 VOLVO		6
39	108722301	OBLOGA, KOCNA 180X19X200 KAROSA	442 000 0518		60

			/		
40	108952801	GARNITURA, DISK PLOC.249.4X118X28 STD LUCAS	81.50820.6016 9.101.04.008 29113 TEXTAR		100
41	111040301	GARNITURA, DISK PLOC.249,4X118X30 POJ.LUCAS	29114 TEXTAR		36
42	111039001	GARNITURA, DISK PLOCICA STD KNORR	0501.215.084 K006060		450
43	111663001	SET, DISK PLOCICA VOLVO	20825594 I139106F KNORR FCV1813B FERODO 16574 FEBI 2909006 TEXTAR		2
44	116426001	SET, KOCNIH PLOCICA IK218M	81.50820.6061		50

KT4

			/		
45	302051701	OBLOGA, KOCNA 145X68X12 BEZAZBESTNA KT4	T-01-DS-14-001 50-302-040		2400

			/		
46	116426001	GARNITURA, DISK PLOC.247.5X109.5X30 POJ.KNORR	29167 TEXTAR		10

			/		
47	100490501	OBLOGA, KOCNA 178X19X216 OSOVINE 832 i 118	108.138.942-1		32
48	100491301	OBLOGA, KOCNA 178X20X216 OSOVINE 832 i 118	108.138.942-2		32
49	207061801	OBLOGA, KOCIONA PREDNJA 140X21 ZIU,TROLZA	UZORAK		40
50	207100201	OBLOGA, KOCIONA PREDNJA 178X192 BKM333,321	860.04.3341.013		32

19-31

32-39: 1

4

45: 1

6

e 47, 48 50: 1

14

49: 1

6

19-24

8 20 ().

25-28 38

6.35 18 (Al).

29-31

8 25 (Cu).

32-37

10 18 ().

39

8 18 (Cu).

45

22 10 5 (Al).

47, 48 50

6.35 18x12 (Al).

49

8 20 (Cu).

40-44 46:

4

4

49

. 064/838-16-14.

19-50:

•

80.000

•

/

•

/

•

ECE R13

ECE R90

•

•

•

•

•

/

() – 4000

•

100.000

•

17

•

-20°C +45°C

19-50:

(

)

" "

(IK,

FAP, MAN, MERCEDES, KAROSA, VOLVO,

RABA, ZF, MAN, MERCEDES, VOLVO) -

/

ECE R13

ECE R90.

ECE R13

ECE R90

19-50:

SRPS ISO 9001

SRPS ISO/TS 16949,

ISO 9001

ISO/TS 16949

51 -

- 345

1	109204901	POLUGA, KOCNA RACVA PREDNJE OSOVINE O345/O405	A.357.420.05.38 72059C HALDEX	16
2	110091201	POLUGA, KOCNA RACVA POG.OSOVINE DESNA O345C	72810C HALDEX A.357.420.14.38	20
3	110092001	POLUGA, KOCNA RACVA POG.OSOVINE LEVA O345C	A.357.420.13.38 72809C HALDEX	15
4	111666501	POLUGA, KOCNA RACVA	79638 HALDEX	12

		POG.OSOV.ZF LEVA O345C/E3	A.000.352.08.40 0501.007.221		
5	111667301	POLUGA, KOCNA RACVA POG.OS.ZF DESNA O345C/E3	A.000.352.09.40 79637 HALDEX		6

52 -

- MAN

			/		
1	110233801	POLUGA, KOCNA RACVA POGON.OSOVINE LEVA SG313	81.50610.6205 72979 HALDEX 79217C HALDEX		35
2	110234601	POLUGA, KOCNA RACVA POGON.OSOV. DESNA SG313	79216C HALDEX 81.50610.6206		35

			/		
53	108322801	POLUGA, KOCNA RACVA PREDNJE OSOVINE 732 IK202	72928 HALDEX		24

54 -

			/		
1	109205701	POLUGA, KOCNA RACVA PREDNJE OSOVINE FAP A537	70775C HALDEX 307.420.03.38		15
2	109206501	POLUGA, KOCNA RACVA POGON.OSOV.DESNA FAP A537	307.420.01.38 70771C HALDEX		38

			/		
55	108718501	POLUGA, KOCNA RACVA POGONSKE OS.DESNA KAROSA	79520C 580 110 8076		2

			/		
56	106138001	SET, DELOVA AUTOMATSKE KOCNE RACVE HALDEX	76046 HALDEX		400

57 -

			/		
1	109471801	JEDINICA, UPRAV ACKA RACVE HALDEKS 72809	74768 HALDEX		20
2	109472601	JEDINICA, UPRAV ACKA RACVE HALDEKS 72059	74686 HALDEX		20
3	109473401	JEDINICA, UPRAV ACKA RACVE HALDEKS 70771	74255 HALDEX		20
4	109475001	JEDINICA, UPRAV ACKA RACVE HALDEKS 79226	74788 HALDEX		4
5	109476901	JEDINICA, UPRAV ACKA RACVE HALDEKS 72928	74164 HALDEX		60
6	109477701	JEDINICA, UPRAV ACKA RACVE HALDEKS 70775	74864S HALDEX		20

7	111196501	JEDINICA, UPRAV ACKA RACVE HALD. 79216/79217	74688 HALDEX		6
8	114272001	JEDINICA, UPRAV ACKA HALDEX OS.ZF O345C	74778S HALDEX		20
9	207123101	JEDINICA, UPRAV ACKA KOCNE RACVE 12363/12364	74771 HALDEX		14

58 -

BKM333/321

	-		/		
1	207108801	POLUGA, KOCNA RACVA AUTOMAT. LEVA BKM333/321	12363 HALDEX		20
2	207109601	POLUGA, KOCNA RACVA AUTOMAT.DESNA BKM333/321	12364 HALDEX		20

59 -

	-		/		
1	207127401	PRSTEN, ODSTOJNI POLUGE KOC.RAC.79197/79198	ATB02-DS-16-001		16
2	207128201	PRSTEN, ODSTOJNI POLUGE KOC.RAC. 12363/12364	ATB02DS-16-002		32
3	219055901	NOSAC, DESNI UPRAV.JED.HALDEX STELOVA 20101	ATB01-DS-16-003		8
4	219056701	NOSAC, LEVI UPRAV.JED.HALDEX STELOVA BKM20101	ATB01-DS-16-004		8

51-55 58:

12

70.000 () ,

56, 57 59:

12

51-58:

MERCEDES, IKARBUS, KAROSA, (FAP, MAN, BKM333/321) -

51-58:

51-58:

/ ()

59:

- 100.000
- 17
- -20°C +45°C
- () - 4000

51-59:

SRPS ISO/TS 16949

SRPS ISO 9001,
(

ISO/TS 16949

ISO 9001
)



•

•

•



•

•

•

•

•

•

•

•

•

•

•

•

•

•

•

•

(

),

1-18:

•

V

: _____

: _____

: _____

5

_____ () :
- - - - -122/14 :

...			
1			
2			
3			
4			
5			
...			

20

Empty rectangular box

(_____)
()



(03.10.2014.)

VI

75. 76.

. 77.

75.)

(. 77. ,

1. je / /

2. / / / / - -

e,

e,

()

) (

(-).

3. / /

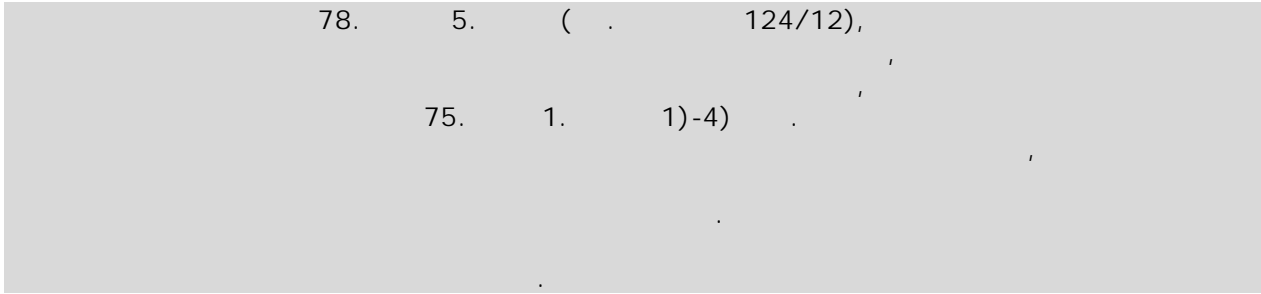
/ / / /

()

4. / /

()

- 2. 4. 03.08.2014. 2 ()
- 3. (02.09.2014.),



78. 5. (124/12),

75. 1. 1)-4)

1. / /

e,

e,

2. / /

3. / /

- 2. 4. 03.08.2014. 2 ()
- 3. (02.09.2014.),

76.)

1.

2011., 2012. 2013. - ()

2011., 2012. 2013.

() , (2011., 2012. 2013.)

()

6

1. () , () 1.000.000,00 1.000.000,00

2.

5% (6) - ()

K

-122/14

-
-
-

. 18.2.

-

5%

30

IBCA

AA.

-
-
-

. 18.2.

-

3.

1

LUCAS,

RABA MAN (/
RABA MAN).

1.

4.

2 3:

/
LUCAS (
LUCAS).

/

5

)

20

(

)

(

3
 (03.10.2014.).
 ().

2 3.
 5. 4:
 LUCAS,
 MAN (/
 MAN).

4.
 6. 5:
 /
 LUCAS (/
 LUCAS).
 / 5
) 20 (
) (;
)

3
 (03.10.2014.).
 ().

5.
 7. 6 7:
 /
 KNORR (/
 KNORR).
 / 5
) 20 (
) (;
)

3
 (03.10.2014.).
 ().

6 7.

8. 8 9:

"KNORR",

ZF).

ZF (

9. 8 9.
10-13 17:

"KNORR",

"KNORR", (/
"KNORR"). /

) / 5 (/
20 (/
(; /

(03.10.2014.).

3

().

10. 10-13 17.
14-16:

"KNORR",

"KNORR", (/
"KNORR"). /

11. 14-16.
18:

HALDEX,

"HALDEX", (/
"HALDEX"). /

12. 18.
1-59:

SRPS ISO/TS 16949 SRPS ISO 9001 (/ ISO/TS 16949 ISO 9001)

SRPS ISO/TS 16949 SRPS ISO 9001 (/ ISO/TS 16949 ISO 9001)

13. 1-18, 51-58

1-18: /

51-58: /

(/
)

1- 18, 51-58.

14. 1-18, 51-59

1- 18.

15. 19-28, 38, 29-37, 39, 45, 47, 48, 49 50

19-24		8 20 ()
25-28	38	6.35 18 (Al)
29-31		8 25 (Cu)
32-37		10 18 ()
39		8 18 (Cu)
45		22 10 5 (Al)
47, 48	50	6.35 18x12 (Al)
49		8 20 (Cu)

16. 19-50:

FAP, MAN, MERCEDES, KAROSA, VOLVO, (IK,
 RABA, ZF, MAN, MERCEDES, VOLVO) -

ECE R13	ECE R90.
ECE R13	ECE R90

19-50.

17. 51-58:

MERCEDES, IKARBUS, KAROSA, (FAP, MAN,
 BKM333/321) -

51-58

):

VI.

78. 5. (124/12),

1)-4)

75.

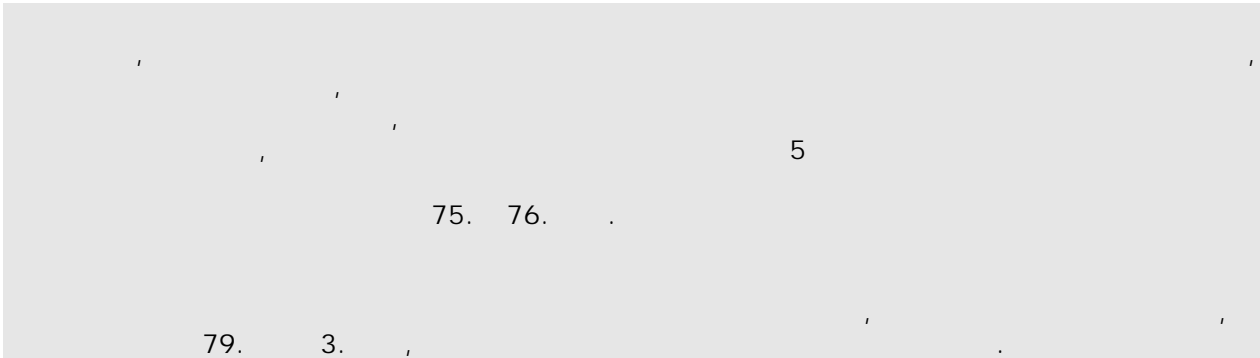
1.

1)-4)

77.

1.

), (. 77



VII

1.

1.1.

(. 75. 76.),

77.

1.2.

. 77.

. 75. 76.

1.3.

. 79. . 3.

1.4.

1.5.

78.

5.

(.

124/12),

75.

1.

1)-4)

1.6.

1.7.

1.8.

. 77.

1.9.

1.

50%,

1.10.

1.11.

75.

(

1

4).

1.12.

5.

77.

1.

(

1

4)

1.13.

10 %

75.

1.

5.

1.14.

1.15.

1.16.

(1)
 75. 1. 1. 4.
 77. 76. 75. 1. 5.

1.17.

1.18.

1.19.

1.20.

1.21.

2.
2.1.

2.2.

2.3. 63. 2.

email

5 ()
 29, 11000 +381 11 366
 4087 « -122/14», e-mail
 nabavke@gsp.co.rs

2.4.

2.5.

2.6.

3.
3.1.

3.2. (e)

3.3.

4.

4.1.

4.2.

4.3.

4.4.

4.5.

(4.4),

87.

5.

4.6.

" /

-122/14".

"

-122/14".

4.7.

).

(

5.

5.1.

5.2.

5

6.

6.1.

(

).

7.

7.1.

7.2.

7.3.

8.

8.1.

93.

1.

()

8.2.

8.3.

8.4.

8.5.

K

-122/14

9.

9.1.

92.

1.

9.2.

9.3.

9.2

92.

3.

5

9.4.

10.

10.1.

-

(2

):

I.

2

),

(

II.

(

)

11.

11.1.

(1)

(2)

(3)

(4)

(5)

11.2.

11.3.

(6)

(7)

) (

(8)

(9)

(10)

11.4.

11.5.

11.6.

12.

12.1.

12.2.

14.

13.

13.1.

(:) ,

13.2.

13.3.

7 ()

13.4.

10 ()

13.5.

13.6.

149. 3.

13.7.

13.8.

13.9.

13.10.

112. 2.

13.11.

151.

13.12.

151. 1.

13.13.

151. 2.

13.14.

151. 3.

13.15.

156.

: 840-742221843-57

- 80.000

80.000.000 ;

- 0,1 %

: 253; : 97; 80.000.000 ;
 : 97 50-016; :
 -122/14; :

13.16.

www.kjn.gov.rs.

14.

14.1.

20%

. 86. 4.

14.2.

14.3.

14.4.

(. . . 33/2013).

15.

15.1.

15.2.

()

15.3.

15.4.

15.5.

15.6.

15.7.

15.8.

15.9.

15.10.

16.

16.1.

16.2.

()

16.3.

(), a

(5 7

).

16.4.

17.

17.1.

17.2.

17.3.

(

...)

17.4.

17.5.

).

18.

18.1.

18.2.

18.3.

-

-

-

-

. 36. 1. . 3)

. 39. 6.

18.4.

18.5.

18.2.,

18.6.

18.2.,

19.

19.1.

19.2.

19.3.

19.4.

3
5%

- /
x

/ =

().

19.5.

19.6.

20.

20.1.

82. (124/12),

- 1)
- 2)

. 23. 25.

3)
4)
20.2.

1)
2)
3)
4)
5)
6)
7)

20.3.
(

21.2. 2. 1)
)

20.4.

21.
21.1.

(,),
+381 11 366-4087.

29, 11000

22.
22.1.

22.2.

22.3.

23.
23.1.

23.2.

23.3.

23.4.

1-18:

**10%

(/)
).

**10%

A

5

**

15%

VIII

O

1-8

1)

$\frac{1}{x^2} = x^{-2}$
 $\frac{d}{dx} x^{-2} = -2x^{-3} = -\frac{2}{x^3}$

$\frac{1}{x^3} = x^{-3}$
 $\frac{d}{dx} x^{-3} = -3x^{-4} = -\frac{3}{x^4}$
 $\frac{1}{x^4} = x^{-4}$
 $\frac{d}{dx} x^{-4} = -4x^{-5} = -\frac{4}{x^5}$
 $\frac{1}{x^5} = x^{-5}$
 $\frac{d}{dx} x^{-5} = -5x^{-6} = -\frac{5}{x^6}$

- 1.
- 2.
- 3.
- 4.
- 5.
- 6.

2)

$\frac{d}{dx} x^2 = 2x$
 $\frac{d}{dx} x^3 = 3x^2$
 $\frac{d}{dx} x^4 = 4x^3$
 $\frac{d}{dx} x^5 = 5x^4$
 $\frac{d}{dx} x^6 = 6x^5$
 $\frac{d}{dx} x^7 = 7x^6$
 $\frac{d}{dx} x^8 = 8x^7$
 $\frac{d}{dx} x^9 = 9x^8$
 $\frac{d}{dx} x^{10} = 10x^9$

)	()	30	()	
)			1-18			12
			19-50			80.000
	70.000		51-55	58		12
			()		
			56, 57	59		12
3)	-	3		(3)	11.
			(29/13).		
(3				
			115.	3,	1.	(
)		
-				1,		
-				2,		
-			3,		(
-)		
			4,			
-	()	5,			
-			6,			
-	()	7,			
-			8,			
-			9,			
		3				
			3.			
	3					
4)					4	
			4,			
			4			
5)					5	

- 5

6)

6

) - (6

- ()
- ()
-

5%

) - . . (

7)

7

7.

). (

7

8)

8

(1) ,

(4)

(6)

B

(.) .

IX

/ /	1
-----	---

(, ,)	
/	
(...) -	
()	
...),	
()	
: (" "),	
(1)	
:	

1) CELJUST, KOCNA LUCAS PREDNJE OSOV

	-	/					-	-
1	108583201	CELJUST, KOCNA LUCAS PREDNJE OSOV. LEVA	LRG 562		3			
2	108584001	CELJUST, KOCNA LUCAS PREDNJE OSOV. DESNA	LRG 563		6			
1							-	

	-	/					-	-
2	109895001	SET, ZAPTIVKI KOCNE CELJUSTI LRG 562/563	SJ 1212		40			
3	109581101	SET, DELOVA KOCNE CELJUSTI LRG 562/563"Lucas"	SJ 4012		20			

4) CELJUST, KOCNA LUCAS SL283,SG313

	-	/					-	-
1	111036501	CELJUST, KOCNA LUCAS SL283,SG313 DESNA	81.50804.6198		7			
2	111037301	CELJUST, KOCNA LUCAS SL283,SG313 LEVA	81.50804.6197		7			
4							-	

			/					
5	115188601	SET, DELOVA KOC.CELJUSTI LRG 574/575 SG313	81.50802.6022 MCK1103		40			
6	114258501	SET, KOCNE CELJUSTI "KNORR" SN7 VECI	K010603 0501.215.083 A.000.420.23.82 A.000.420.49.82		82			
7	114255001	SET, KOCNE CELJUSTI "KNORR" SN7 MANJI	K000472 A.000.420.34.82 A.000.420.46.82 0501.213.688		40			

8) CELJUST, KOCNA KNORR OS.ZF RL-85A

			/					
1	114122801	CELJUST, KOCNA KNORR OS.ZF RL-85A LEVA112/218	0501.008.098 K015234		4			
2	114133301	CELJUST, KOCNA KNORR OS.ZF RL-85A DESNA IK	0501.008.099 K015235		4			
					8			

9) CELJUST, KOCNA KNORR OS.ZF AVN-132

			/					
1	114131701	CELJUST, KOCNA KNORR OS.ZF AVN- 132 LEVA IK	0501.007.979 K010165		16			
2	114132501	CELJUST, KOCNA KNORR OS.ZF AVN- 132 DESNA IK	0501.007.978 K010164		17			
					9			

			/					
10	117587401	SET, CEP I GUMICA KOCNE CELJUSTI KNORR POG.OSOVINE ZF 132/87	81.50822.6025		30			
11	114262301	SET, DELOVA KOCNE CELJ.KNORR POG.OS.ZF132/87	K010604 81.50822.6032		70			
12	116059101	SET, VODJICA SA ZAPTIVKAMA KOC.CELJUSTI SB7	K000132		30			
13	116061301	SET, VODJICA, ZAPTIVKI, CEPOVA KOC.CELJ. SB7	K001915		30			
14	114223201	NOSAC, DISK PLOCICA ZA CELJUST "KNORR"	K001273		3			
15	116199701	NOSAC, DISK PL.CELJ.KNORR LEVI AV132 112/218N	0501.213.710 K001530		2			
16	116385001	NOSAC, DISK PLOC.CELJ.DESNI KNORR AV132/87	0501.213.709 K001529		2			
17	117258101	SET, VODJICA CAURA GUMICA CEPOVA CELJUSTI SK7	K004100		30			
18	114256901	SET, KOCNE CE USTI HALDEX 92502	90693 HALDEX		30			

19)

FAP

			/					
1	107648501	OBLOGA, KOCNA 163X18.1/8.3X217 PRED.STDII FAP	307.421.48.10		220			
2	107653101	OBLOGA, KOCNA 163X18.2/15.7X174 PRED.STDI FAP	A.307.421.51.10		220			
19								

20)

FAP I

	-	/				-	-
1	107651501	OBLOGA, KOCNA 163X19.1/9.3X217 PRED.SPC1 FAP	307.421.50.10	220			
2	107654001	OBLOGA, KOCNA 163X19.2/16.7X174 PRED.SPC1 FAP	A.307.421.52.10	220			
20						-	

21)

FAP II

	-	/				-	-
1	107652301	OBLOGA, KOCNA 163X20.1/10.3X217 PRED.SPC2 FAP	307.421.50.10-1	220			
2	107673601	OBLOGA, KOCNA 163X20.2/17.7X174 PRED.SPC2 FAP	307.421.52.10-1	220			
21						-	

22)

FAP

	-	/				-	-
1	107667101	OBLOGA, KOCNA 223X18.8/13.9X174 POG.STD FAP	A.307.423.51.10	220			
2	107668001	OBLOGA, KOCNA 223X18.1/8.3X217 POG.STD FAP	A.307.423.48.10 274106	220			
22						-	

23)

FAP I

			/					
1	107669801	OBLOGA, KOCNA 223X19.2/16.7X174 POG.SPC1 FAP	A.307.423.52.10 274105		220			
2	107670101	OBLOGA, KOCNA 223X19.1/9.3X217 POG.SPC1 FAP	A.307.423.50.10 274094		220			
23							-	

24)

FAP II

			/					
1	107671001	OBLOGA, KOCNA 223X20.2/17.7X174 POG.SPC2 FAP	307.423.52.10-1		160			
2	107672801	OBLOGA, KOCNA 223X20.1/10.3X217 POG.SPC2 FAP	307.423.50.10-1		160			
24							-	

25)

IK

			/					
1	108307401	OBLOGA, KOCNA 179X21.5/12.1X212 IK103,202	WVA 19616/21.5 108.174.590		1200			
2	108308201	OBLOGA, KOCNA 179X21.6/17.6X215 IK103,202	WVA 19615/21.6 108.174.590-1		1200			
25							-	

26) IK I

			/					
1	108309001	OBLOGA, KOCNA 179X22.5/12.5X212 IK103,202	WVA 19616/22.5 108.174.608	540				
2	108310401	OBLOGA, KOCNA 179X22.6/18.6X215 IK103,202	WVA 19615/22.6 108.174.608-1	540				
26							-	

27) IK II

			/					
1	108311201	OBLOGA, KOCNA 179X23.5/13.5X212 IK103,202	WVA 19616/23.5 108.174.616	540				
2	108312001	OBLOGA, KOCNA 179X23.6/19.6X215 IK103,202	108.174.616-1	540				
27							-	

28) IK III

			/					
1	108313901	OBLOGA, KOCNA 179X24.5/14.5X212 IK103,202	108.174.624	240				
2	108314701	OBLOGA, KOCNA 179X24.6/20.6X215 IK103,202	108.174.624-1 WVA19615/616.30	240				
28							-	

29) MAN SL/SG

			/					
1	108953601	OBLOGA, KOCNA 223X18.7/16.2X174 STD SL/SG	81.50221.0545		300			
2	109139501	OBLOGA, KOCNA 223X18.6/8.8X217 STD SL/SG	81.50221.0550		300			
29							-	

30) MAN SL/SG I

			/					
1	111718101	OBLOGA, KOCNA 223X19,4/9,3X217 I SPC SL/SG	81.50221.0552		320			
2	111719001	OBLOGA, KOCNA 223X19,5/9,3X174 I SPC SL/SG	81.50221.0547		320			
30							-	

31) MAN SL/SG II

			/					
1	111720301	OBLOGA, KOCNA 223X20,1X217 II SPC SL/SG	81.50221.0553		260			
2	111721101	OBLOGA, KOCNA 223X20,2X174 II SPC SL/SG	81.50221.0548		260			
31							-	

			/					
32	109240501	OBLOGA, KOCNA PRED.OS.STD 18.7mm SET O345C	A.301.423.70.10		48			
33	109346001	OBLOGA, KOCNA PRED.OS.I SP.19.5mm SET O345C	A.301.423.71.10		36			
34	109444001	OBLOGA, KOCNA POGON.OSOV.19.00 mm SET O345C	A.357.423.01.11		60			
35	109375401	OBLOGA, KOCNA POGON.OSOV.19.80 mm SET O345C	A.357.423.02.11		60			
36	113447701	SET, KOCN.OBLOGA POG.OS.ZF-AV132 IISPC O345E3	A.000.421.02.31		24			
37	113458201	SET, KOCN.OBLOGA POG.OS.ZF-AV132 STD O345E3	A.000.421.01.31		20			
38	117443601	SET, KOCNIH OBLOGA VOLVO IK- 112.3/218.3	19975190005 TEXTAR 3098082 VOLVO		6			
39	108722301	OBLOGA, KOCNA 180X19X200 KAROSA	442 000 0518		60			
40	108952801	GARNITURA, DISK PLOC.249.4X118X28 STD LUCAS	81.50820.6016 9.101.04.008 29113 TEXTAR		100			
41	111040301	GARNITURA, DISK PLOC.249,4X118X30 POJ.LUCAS	29114 TEXTAR		36			
42	111039001	GARNITURA, DISK PLOCICA STD KNORR	0501.215.084 K006060		450			
43	111663001	SET, DISK PLOCICA VOLVO	20825594 I139106F KNORR FCV1813B FERODO 16574 FEBI 2909006 TEXTAR		2			
44	116426001	SET, KOCNIH PLOCICA IK218M	81.50820.6061		50			

			/					
45	302051701	OBLOGA, KOCNA 145X68X12 BEZAZBESTNA KT4	T-01-DS-14-001 50-302-040		2400			
46	116426001	GARNITURA, DISK PLOC.247.5X109.5X3 0 POJ.KNORR	29167 TEXTAR		10			
47	100490501	OBLOGA, KOCNA 178X19X216 OSOVINE 832 i 118	108.138.942-1		32			
48	100491301	OBLOGA, KOCNA 178X20X216 OSOVINE 832 i 118	108.138.942-2		32			
49	207061801	OBLOGA, KOCIONA PREDNJA 140X21 ZIU,TROLZA	UZORAK		40			
50	207100201	OBLOGA, KOCIONA PREDNJA 178X192 BKM333,321	860.04.3341.013		32			

51) CELJUST, KOCNA KNORR OS.ZF AVN-132

			/					
1	109204901	POLUGA, KOCNA RACVA PREDNJE OSOVINE O345/O405	A.357.420.05.38 72059C HALDEX		16			
2	110091201	POLUGA, KOCNA RACVA POG.OSOVINE DESNA O345C	72810C HALDEX A.357.420.14.38		20			
3	110092001	POLUGA, KOCNA RACVA POG.OSOVINE LEVA O345C	A.357.420.13.38 72809C HALDEX		15			
4	111666501	POLUGA, KOCNA RACVA POG.OSOV.ZF LEVA O345C/E3	79638 HALDEX A.000.352.08.40 0501.007.221		12			
5	111667301	POLUGA, KOCNA RACVA POG.OS.ZF DESNA O345C/E3	A.000.352.09.40 79637 HALDEX		6			
					51			

52)

- MAN

	-		/				-	-
1	110233801	POLUGA, KOCNA RACVA POGON.OSOVINE LEVA SG313	81.50610.6205 72979 HALDEX 79217C HALDEX		35			
2	110234601	POLUGA, KOCNA RACVA POGON.OSOV. DESNA SG313	79216C HALDEX 81.50610.6206		35			
52							-	

	-		/				-	-
53	108322801	POLUGA, KOCNA RACVA PREDNJE OSOVINE 732 IK202	72928 HALDEX		24			

54)

-

	-		/				-	-
1	109205701	POLUGA, KOCNA RACVA PREDNJE OSOVINE FAP A537	70775C HALDEX 307.420.03.38		15			
2	109206501	POLUGA, KOCNA RACVA POGON.OSOV.DESNA FAP A537	307.420.01.38 70771C HALDEX		38			
54							-	

	-		/				-	-
55	108718501	POLUGA, KOCNA RACVA POGONSKE OS.DESNA KAROSA	79520C 580 110 8076		2			
56	106138001	SET, DELOVA AUTOMATSKE KOCNE RACVE HALDEX	76046 HALDEX		400			

57)

			/						
1	109471801	JEDINICA, UPRAV ACKA RACVE HALDEKS 72809	74768 HALDEX		20				
2	109472601	JEDINICA, UPRAV ACKA RACVE HALDEKS 72059	74686 HALDEX		20				
3	109473401	JEDINICA, UPRAV ACKA RACVE HALDEKS 70771	74255 HALDEX		20				
4	109475001	JEDINICA, UPRAV ACKA RACVE HALDEKS 79226	74788 HALDEX		4				
5	109476901	JEDINICA, UPRAV ACKA RACVE HALDEKS 72928	74164 HALDEX		60				
6	109477701	JEDINICA, UPRAV ACKA RACVE HALDEKS 70775	74864S HALDEX		20				
7	111196501	JEDINICA, UPRAV ACKA RACVE HALD. 79216/79217	74688 HALDEX		6				
8	114272001	JEDINICA, UPRAV ACKA HALDEX OS.ZF O345C	74778S HALDEX		20				
9	207123101	JEDINICA, UPRAV ACKA KOCNE RACVE 12363/12364	74771 HALDEX		14				
57									

58)

BKM333/321

			/						
1	207108801	POLUGA, KOCNA RACVA AUTOMAT. LEVA BKM333/321	12363 HALDEX		20				
2	207109601	POLUGA, KOCNA RACVA AUTOMAT.DESNA BKM333/321	12364 HALDEX		20				
58									

	2 12/13
--	------------

59)

1	207127401	PRSTEN, ODSTOJNI POLUGE KOC.RAC.79197/7919 8	ATB02-DS-16-001		16				
2	207128201	PRSTEN, ODSTOJNI POLUGE KOC.RAC. 12363/12364	ATB02DS-16-002		32				
3	219055901	NOSAC, DESNI UPRAV.JED.HALDEX STELOVA 20101	ATB01-DS-16-003		8				
4	219056701	NOSAC, LEVI UPRAV.JED.HALDEX STELOVA BKM20101	ATB01-DS-16-004		8				
59									

--	--

():	
------	--

():	
------	--

(1-18):	
----------	--

(19-50):	
-----------	--

(51-55 58):	
--------------	--

	2 13/13
--	------------

(56, 57 59):	_____
---------------	-------

_____:	
--------	--

2.

1.
2.
3.
4.
5.
6.
7.

	4
--	---

():

		() ⁻	() ⁻
(-):			
(-):			

:

		() ⁻	() ⁻
(-):			
(-):			

: 88.

	5
--	---

B

82.

1.

2.

-	6
---	---

1, 2 6

:	
:	
:	
:	

29 ()

()

5%

()

-122/14.

5%

29,

	7
--	---

-

-

-

()

(:

().

	8
--	---

1. _____, (_____ a),
 _____ (_____ / _____), (_____)
 _____ (_____)
 _____ (_____)
 _____ (_____)
 _____ (_____)

2. _____ " _____", _____
 _____ 29, _____ (_____)
 _____ : _____)
 _____ : _____ " _____ 124/12;
 _____ : _____
 _____ -122/14, _____
 _____ ; _____ 122/_____.2014.
 _____ ; _____
 _____ _____ .2014. _____
 _____ (_____ : _____)
 _____ ;

1.

-122/14,

2.

a, a a

-
-
-
-
-
-
-

(_____), _____
 (_____) ... (_____)
 (_____)

1-18:

59:

3.

1) CELJUST, KOCNA LUCAS PREDNJE OSOV

			/					
1	108583201	CELJUST, KOCNA LUCAS PREDNJE OSOV. LEVA	LRG 562		3			
2	108584001	CELJUST, KOCNA LUCAS PREDNJE OSOV. DESNA	LRG 563		6			
1								

			/					
2	109895001	SET, ZAPTIVKI KOCNE CELJUSTI LRG 562/563	SJ 1212		40			
3	109581101	SET, DELOVA KOCNE CELJUSTI LRG 562/563"Lucas"	SJ 4012		20			

4) CELJUST, KOCNA LUCAS SL283,SG313

			/					
1	111036501	CELJUST, KOCNA LUCAS SL283,SG313 DESNA	81.50804.6198		7			
2	111037301	CELJUST, KOCNA LUCAS SL283,SG313 LEVA	81.50804.6197		7			
4								

			/					
5	115188601	SET, DELOVA KOC.CELJUSTI LRG 574/575 SG313	81.50802.6022 MCK1103		40			
6	114258501	SET, KOCNE CELJUSTI "KNORR" SN7 VECI	K010603 0501.215.083 A.000.420.23.82 A.000.420.49.82		82			
7	114255001	SET, KOCNE CELJUSTI "KNORR" SN7 MANJI	K000472 A.000.420.34.82 A.000.420.46.82 0501.213.688		40			

8) CELJUST, KOCNA KNORR OS.ZF RL-85A

			/					
1	114122801	CELJUST, KOCNA KNORR OS.ZF RL-85A LEVA112/218	0501.008.098 K015234		4			
2	114133301	CELJUST, KOCNA KNORR OS.ZF RL-85A DESNA IK	0501.008.099 K015235		4			
8								

9) CELJUST, KOCNA KNORR OS.ZF AVN-132

			/					
1	114131701	CELJUST, KOCNA KNORR OS.ZF AVN- 132 LEVA IK	0501.007.979 K010165		16			
2	114132501	CELJUST, KOCNA KNORR OS.ZF AVN- 132 DESNA IK	0501.007.978 K010164		17			
9								

			/					
10	117587401	SET, CEP I GUMICA KOCNE CELJUSTI KNORR POG.OSOVINE ZF 132/87	81.50822.6025		30			
11	114262301	SET, DELOVA KOCNE CELJ.KNORR POG.OS.ZF132/87	K010604 81.50822.6032		70			
12	116059101	SET, VODJICA SA ZAPTIVKAMA KOC.CELJUSTI SB7	K000132		30			

			/					
13	116061301	SET, VODJICA, ZAPTIVKI, CEPOVA KOC.CELJ. SB7	K001915		30			
14	114223201	NOSAC, DISK PLOCICA ZA CELJUST "KNORR"	K001273		3			
15	116199701	NOSAC, DISK PL.CELJ.KNORR LEVI AV132 112/218N	0501.213.710 K001530		2			
16	116385001	NOSAC, DISK PLOC.CELJ.DESNI KNORR AV132/87	0501.213.709 K001529		2			
17	117258101	SET, VODJICA CAURA GUMICA CEPOVA CELJUSTI SK7	K004100		30			
18	114256901	SET, KOCNE CE USTI HALDEX 92502	90693 HALDEX		30			

19)

FAP

			/					
1	107648501	OBLOGA, KOCNA 163X18.1/8.3X217 PRED.STDII FAP	307.421.48.10		220			
2	107653101	OBLOGA, KOCNA 163X18.2/15.7X174 PRED.STDI FAP	A.307.421.51.10		220			
19								

20)

FAP I

			/					
1	107651501	OBLOGA, KOCNA 163X19.1/9.3X217 PRED.SPC1 FAP	307.421.50.10		220			
2	107654001	OBLOGA, KOCNA 163X19.2/16.7X174 PRED.SPC1 FAP	A.307.421.52.10		220			
20								

21)

FAP II

	-		/				-	-
1	107652301	OBLOGA, KOCNA 163X20.1/10.3X217 PRED.SPC2 FAP	307.421.50.10-1		220			
2	107673601	OBLOGA, KOCNA 163X20.2/17.7X174 PRED.SPC2 FAP	307.421.52.10-1		220			
21							-	

22)

FAP

	-		/				-	-
1	107667101	OBLOGA, KOCNA 223X18.8/13.9X174 POG.STD FAP	A.307.423.51.10		220			
2	107668001	OBLOGA, KOCNA 223X18.1/8.3X217 POG.STD FAP	A.307.423.48.10 274106		220			
22							-	

23)

FAP I

	-		/				-	-
1	107669801	OBLOGA, KOCNA 223X19.2/16.7X174 POG.SPC1 FAP	A.307.423.52.10 274105		220			
2	107670101	OBLOGA, KOCNA 223X19.1/9.3X217 POG.SPC1 FAP	A.307.423.50.10 274094		220			
23							-	

24)

FAP II

	-		/				-	-
1	107671001	OBLOGA, KOCNA 223X20.2/17.7X174 POG.SPC2 FAP	307.423.52.10-1		160			
2	107672801	OBLOGA, KOCNA 223X20.1/10.3X217 POG.SPC2 FAP	307.423.50.10-1		160			
24							-	

25)

IK

	-		/				-	-
1	108307401	OBLOGA, KOCNA 179X21.5/12.1X212 IK103,202	WVA 19616/21.5 108.174.590	1200				
2	108308201	OBLOGA, KOCNA 179X21.6/17.6X215 IK103,202	WVA 19615/21.6 108.174.590-1	1200				
25							-	

26)

IK I

	-		/				-	-
1	108309001	OBLOGA, KOCNA 179X22.5/12.5X212 IK103,202	WVA 19616/22.5 108.174.608	540				
2	108310401	OBLOGA, KOCNA 179X22.6/18.6X215 IK103,202	WVA 19615/22.6 108.174.608-1	540				
26							-	

27)

IK II

	-		/				-	-
1	108311201	OBLOGA, KOCNA 179X23.5/13.5X212 IK103,202	WVA 19616/23.5 108.174.616	540				
2	108312001	OBLOGA, KOCNA 179X23.6/19.6X215 IK103,202	108.174.616-1	540				
27							-	

28)

IK III

	-		/				-	-
1	108313901	OBLOGA, KOCNA 179X24.5/14.5X212 IK103,202	108.174.624	240				
2	108314701	OBLOGA, KOCNA 179X24.6/20.6X215 IK103,202	108.174.624-1 WVA19615/616.30	240				
28							-	

29) MAN SL/SG

			/					
1	108953601	OBLOGA, KOCNA 223X18.7/16.2X174 STD SL/SG	81.50221.0545		300			
2	109139501	OBLOGA, KOCNA 223X18.6/8.8X217 STD SL/SG	81.50221.0550		300			
29							-	

30) MAN SL/SG I

			/					
1	111718101	OBLOGA, KOCNA 223X19,4/9,3X217 I SPC SL/SG	81.50221.0552		320			
2	111719001	OBLOGA, KOCNA 223X19,5/9,3X174 I SPC SL/SG	81.50221.0547		320			
30							-	

31) MAN SL/SG II

			/					
1	111720301	OBLOGA, KOCNA 223X20,1X217 II SPC SL/SG	81.50221.0553		260			
2	111721101	OBLOGA, KOCNA 223X20,2X174 II SPC SL/SG	81.50221.0548		260			
31							-	

			/					
32	109240501	OBLOGA, KOCNA PRED.OS.STD 18.7mm SET O345C	A.301.423.70.10		48			
33	109346001	OBLOGA, KOCNA PRED.OS.I SP.19.5mm SET O345C	A.301.423.71.10		36			
34	109444001	OBLOGA, KOCNA POGON.OSOV.19.00 mm SET O345C	A.357.423.01.11		60			

			/					
35	109375401	OBLOGA, KOCNA POGON.OSOV.19.80 mm SET O345C	A.357.423.02.11		60			
36	113447701	SET, KOCN.OBLOGA POG.OS.ZF-AV132 IISPC O345E3	A.000.421.02.31		24			
37	113458201	SET, KOCN.OBLOGA POG.OS.ZF-AV132 STD O345E3	A.000.421.01.31		20			
38	117443601	SET, KOCNIH OBLOGA VOLVO IK- 112.3/218.3	19975190005 TEXTAR 3098082 VOLVO		6			
39	108722301	OBLOGA, KOCNA 180X19X200 KAROSA	442 000 0518		60			
40	108952801	GARNITURA, DISK PLOC.249.4X118X28 STD LUCAS	81.50820.6016 9.101.04.008 29113 TEXTAR		100			
41	111040301	GARNITURA, DISK PLOC.249,4X118X30 POJ.LUCAS	29114 TEXTAR		36			
42	111039001	GARNITURA, DISK PLOCICA STD KNORR	0501.215.084 K006060		450			
43	111663001	SET, DISK PLOCICA VOLVO	20825594 I139106F KNORR FCV1813B FERODO 16574 FEBI 2909006 TEXTAR		2			
44	116426001	SET, KOCNIH PLOCICA IK218M	81.50820.6061		50			
45	302051701	OBLOGA, KOCNA 145X68X12 BEZAZBESTNA KT4	T-01-DS-14-001 50-302-040		2400			
46	116426001	GARNITURA, DISK PLOC.247.5X109.5X3 0 POJ.KNORR	29167 TEXTAR		10			
47	100490501	OBLOGA, KOCNA 178X19X216 OSOVINE 832 i 118	108.138.942-1		32			
48	100491301	OBLOGA, KOCNA 178X20X216 OSOVINE 832 i 118	108.138.942-2		32			

			/					
49	207061801	OBLOGA, KOCIONA PREDNJA 140X21 ZIU,TROLZA	UZORAK		40			
50	207100201	OBLOGA, KOCIONA PREDNJA 178X192 BKM333,321	860.04.3341.013		32			

51) CELJUST, KOCNA KNORR OS.ZF AVN-132

			/					
1	109204901	POLUGA, KOCNA RACVA PREDNJE OSOVINE O345/O405	A.357.420.05.38 72059C HALDEX		16			
2	110091201	POLUGA, KOCNA RACVA POG.OSOVINE DESNA O345C	72810C HALDEX A.357.420.14.38		20			
3	110092001	POLUGA, KOCNA RACVA POG.OSOVINE LEVA O345C	A.357.420.13.38 72809C HALDEX		15			
4	111666501	POLUGA, KOCNA RACVA POG.OSOV.ZF LEVA O345C/E3	79638 HALDEX A.000.352.08.40 0501.007.221		12			
5	111667301	POLUGA, KOCNA RACVA POG.OS.ZF DESNA O345C/E3	A.000.352.09.40 79637 HALDEX		6			
51							-	

52)

- MAN

			/					
1	110233801	POLUGA, KOCNA RACVA POGON.OSOVINE LEVA SG313	81.50610.6205 72979 HALDEX 79217C HALDEX		35			
2	110234601	POLUGA, KOCNA RACVA POGON.OSOV. DESNA SG313	79216C HALDEX 81.50610.6206		35			
52							-	

			/					
53	108322801	POLUGA, KOCNA RACVA PREDNJE OSOVINE 732 IK202	72928 HALDEX		24			

54)

			/					
1	109205701	POLUGA, KOCNA RACVA PREDNJE OSOVI NE FAP A537	70775C HALDEX 307.420.03.38		15			
2	109206501	POLUGA, KOCNA RACVA POGON.OSOV.DESNA FAP A537	307.420.01.38 70771C HALDEX		38			
54								

			/					
55	108718501	POLUGA, KOCNA RACVA POGONSKE OS.DESNA KAROSA	79520C 580 110 8076		2			
56	106138001	SET, DELOVA AUTOMATSKE KOCNE RACVE HALDEX	76046 HALDEX		400			

57)

			/					
1	109471801	JEDINICA, UPRAV ACKA RACVE HALDEKS 72809	74768 HALDEX		20			
2	109472601	JEDINICA, UPRAV ACKA RACVE HALDEKS 72059	74686 HALDEX		20			
3	109473401	JEDINICA, UPRAV ACKA RACVE HALDEKS 70771	74255 HALDEX		20			
4	109475001	JEDINICA, UPRAV ACKA RACVE HALDEKS 79226	74788 HALDEX		4			
5	109476901	JEDINICA, UPRAV ACKA RACVE HALDEKS 72928	74164 HALDEX		60			
6	109477701	JEDINICA, UPRAV ACKA RACVE HALDEKS 70775	74864S HALDEX		20			
7	111196501	JEDINICA, UPRAV ACKA RACVE HALD. 79216/79217	74688 HALDEX		6			
8	114272001	JEDINICA, UPRAV ACKA HALDEX OS.ZF O345C	74778S HALDEX		20			

			/					
9	207123101	JEDINICA, UPRAV ACKA KOCNE RACVE 12363/12364	74771 HALDEX		14			
57							-	

58)

BKM333/321

			/					
1	207108801	POLUGA, KOCNA RACVA AUTOMAT. LEVA BKM333/321	12363 HALDEX		20			
2	207109601	POLUGA, KOCNA RACVA AUTOMAT.DESNA BKM333/321	12364 HALDEX		20			
58							-	

59)

			/					
1	207127401	PRSTEN, ODSTOJNI POLUGE KOC.RAC.79197/7919 8	ATB02-DS-16-001		16			
2	207128201	PRSTEN, ODSTOJNI POLUGE KOC.RAC. 12363/12364	ATB02DS-16-002		32			
3	219055901	NOSAC, DESNI UPRAV.JED.HALDEX STELOVA 20101	ATB01-DS-16-003		8			
4	219056701	NOSAC, LEVI UPRAV.JED.HALDEX STELOVA BKM20101	ATB01-DS-16-004		8			
59							-	

- _____ (: _____).

3
5%

(x - / / =) .

4.

4.

5.

29,

6.

7.

6.

8.

1%

5%

9.

),

10.

29.

10

10

11.

1-18 _____

19-50 _____

51-55 58 _____

56, 57 59 _____

()

10

10

x

12.

10%

12.

10

10%

10

10%

7

()

(),

0

4.

9.

13.

(), (

14.

12.

15.

16.

17.

18.

19.

, 5 ()

7 ()

2 ()

:

X

(. . . 104/46, . . . 16/65, 54/70 57/89, . . .
 .46/96), (" . . . " . 3/2002), (. . . 29/02 30/02) '
 .34/02, ' 43/04) (. . .

: _____
 : _____
 : _____
 : _____
 : _____

: JK " "
 : . 29,
 : 07022662
 : 100049398
 : 105-500122-59

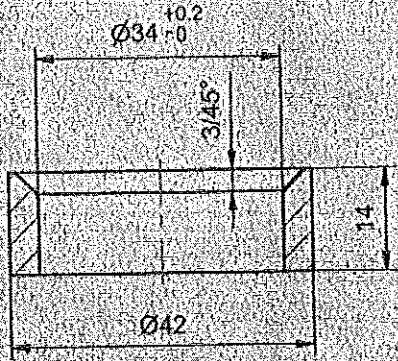
O

:

No Datum Dopisak Privobitke Iznen Izmeno Polpis Odobrio Potpis

Crtež je urađen na osnovu skice i uzorka

N8



29.08.2011
G. Klisic

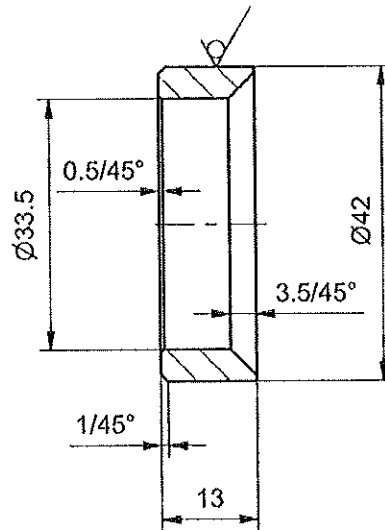
GSP 2 071 274

16	001	SRPS C.B5.230	Č.1402	cev45x6x19		
Montaza	Detalj	Standard	Materijal	Dimenzije	Kom.	Tez.u.kp
Naziv detalja - sklopa		Polužje za kočnje		ATB-02-DS GSP "BEOGRAD"		
Veza sa		Prsten odstojni kočione račve HALDEX za BKM-333,321 BKM-32100S		Snimio-konst.		
R	1:1	Crtao		29.08.2011	Dalibor Radovanac mas.ing	
		Pregledao		29.08.2011	G. Klisic dipl.mas.ing	
		Overava		29.08.2011	G. Klisic dipl.mas.ing	

No.	Datum	Dopis br.	Prvobitno	Izmena	Izmenio	Potpis	Odobrio	Potpis
-----	-------	-----------	-----------	--------	---------	--------	---------	--------

Crtež je urađen prema skici dostavljenoj iz SP "Dorćol".

N8 / / /



29.08.2014
[Signature]

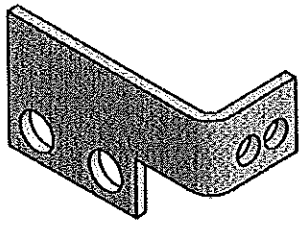
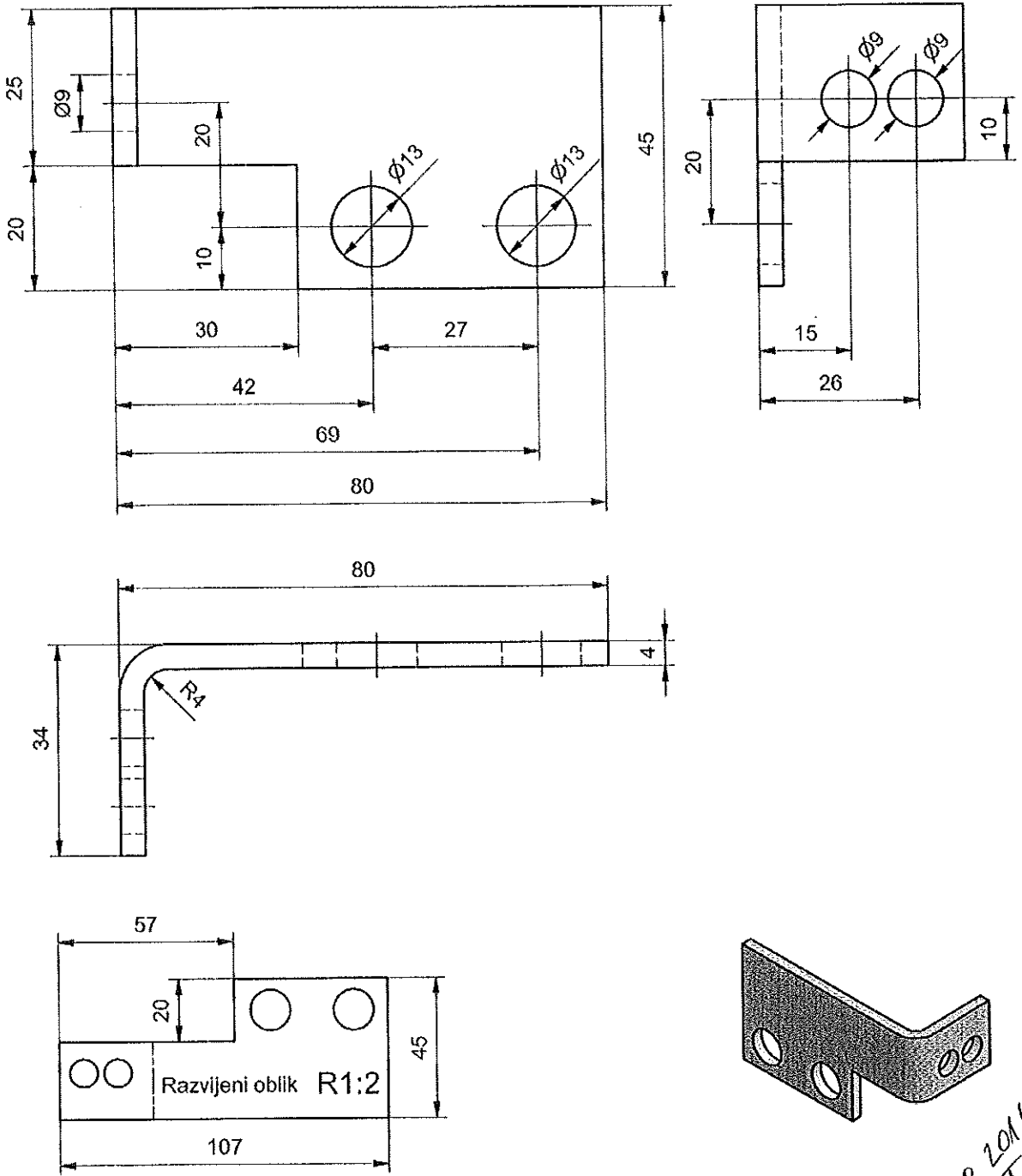
GSP 2 071 282

16	002	SRPS C.B3.412	Č 0545	Ø 42x18		
Montaž	Detalj	Standard	Materijal	Dimenzije	Kom.	Tež.u kp
Naziv detalja - sklopa		ATB-02-DS		GSP "BEOGRAD"		
Veza sa		Prsten odstojni poluge kočne račve 12363/12364				
R	1:1					
		Snimio-konst.				
		Crtao	15.06.2012	Dalibor, Radovanac maš.ing		
		Pregledao	15.06.2012	A.Matović dipl.maš.ing		
		Overava	15.06.2012	A.Matović dipl.maš.ing		

[Signature]

No.	Datum	Dopis br.	Prvobitno	Izmena	Izmenio	Potpis	Odobrio	Potpis
-----	-------	-----------	-----------	--------	---------	--------	---------	--------

Crtež je urađen prema skici dostavljenoj iz SP "Dorčol".



29.08.2014
[Signature]

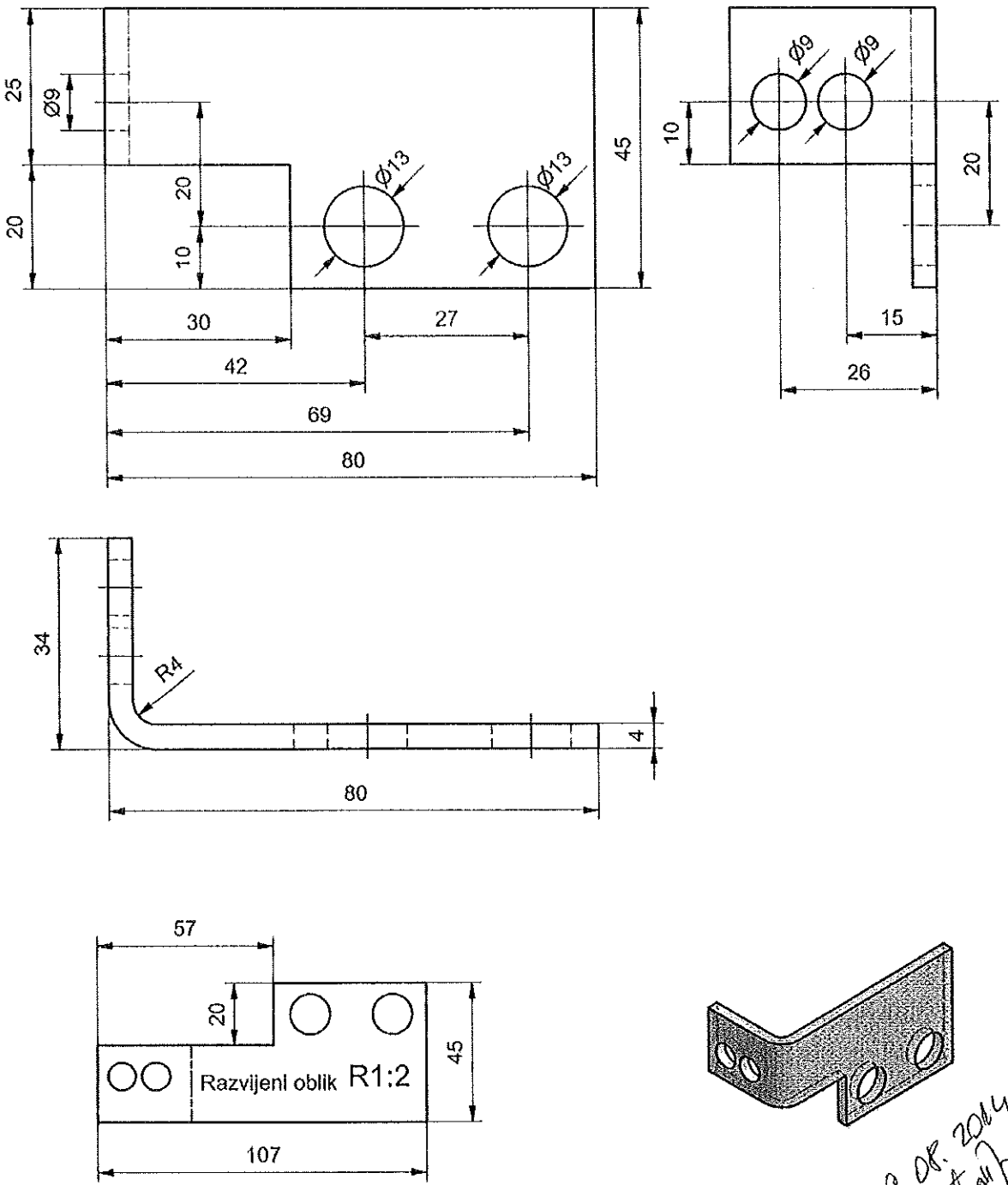
NAPOMENA:
 - Kadmijumizirati

GSP 2 190 559 ✓

16	003	NAZIV DETALJA - SKLOPA	Standard	Č 0545 Materijal	#4x50x112 Dimenzije	Kom.	Tež.u kp
Montaž	Detalj	Polužje za kočenje	ATB-01-DS		GSP "BEOGRAD"		
Veza sa	Nosач desni upravljačke jedinice "HALDEX" štelova BKM 20101 ✓		Snimio-konst.				
R 1:1			Crtao	05.04.2012	Dalibor Radovanac maš.ing		
			Pregledao	05.04.2012	A.Matović dipl.maš.ing		
			Overava	05.04.2012	A.Matović dipl.maš.ing		

No.	Datum	Dopis br.	Prvobitno	Izmena	Izmenio	Potpis	Odobrio	Potpis
-----	-------	-----------	-----------	--------	---------	--------	---------	--------

Cртеж је урађен према скици достављеној из SP "Dorćol".



NAPOMENA:
- Kadmijumizirati

GSP 2 190 567 ✓

*29. 04. 2012
S. Matović*

16	004	NAZIV DETALJA - SKLOPA	Standard	Č 0545 Materijal	#4x50x112 Dimenzije	Kom.	Tež.u kp
Montaž	Detalj	Polužje za koćenje	ATB-01-DS		GSP "BEOGRAD"		
Veza sa	Nosaač levi upravljaačke jedinice "HALDEX" štelova BKM 20101 ✓		Snimio-konst.				
R 1:1			Crtao	05.04.2012	Dalibor Radovanac maš.ing		
			Pregledao	05.04.2012	A.Matović dipl.maš.ing		
			Overava	05.04.2012	J. Matović		